

## UVR-4K

### Industrial UV Air disinfection unit



- Very high UVC dosage
- Maximum safety due to protective grille
- Corrosion free reflector
- Functional parts made of stainless steel 1.4401
- Maintenance friendly
- Moist room proof

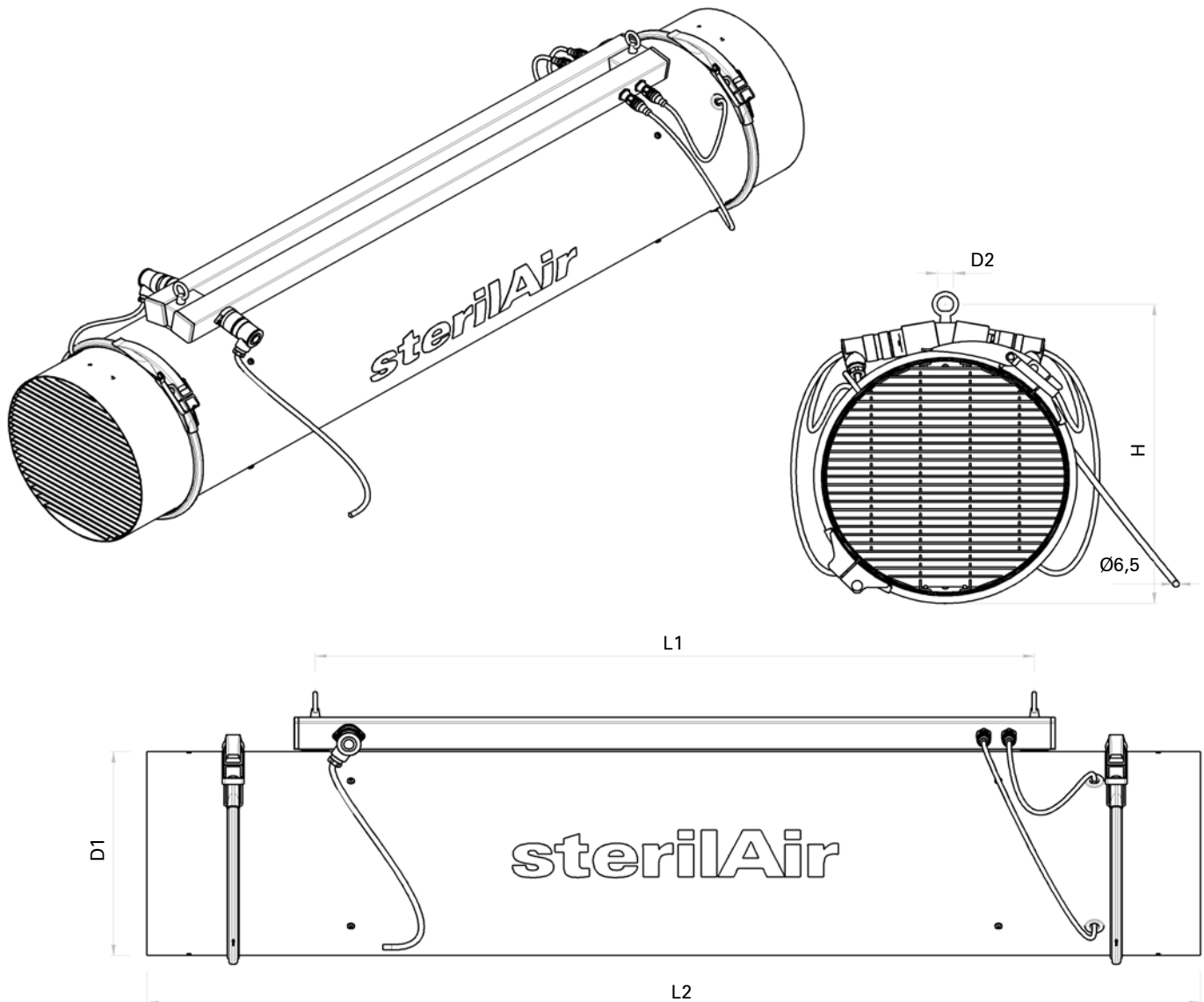
#### Product designation

#### UVR-4K

Power consumption	262 W, 1240 mA
Supply voltage	230 V <sub>AC</sub> ±4%, 50..60 Hz
Total output, UVC <sub>254nm</sub>	72 W
UV tube type	4 x UVC 2036-4K
UV tube replacement interval	12'000 hours (75% ±5% residual capacity)
Air circulation	700 m <sup>3</sup> / h
Material	Stainless steel (1.4301 / 1.4401), PP, PA
Classification	CE, EMC, HACCP
IP protection	IP 54

## UVR-4K

### Industrial UV Air disinfection unit



#### Product designation

#### UVR-4K

Height H	324 mm
Length L2	1253 mm
Tube diameter D1	252 mm
Mounting eye, Ø D2	16 mm
Distance mounting eye L1	855 mm
Weight per unit	21.5 kg