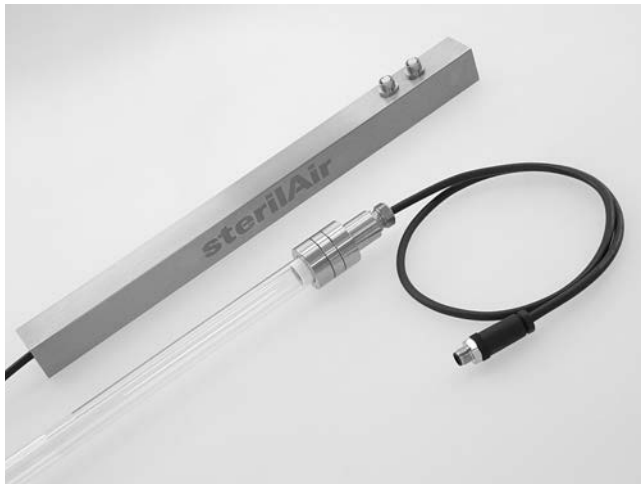


EQ-TS

Immersion system

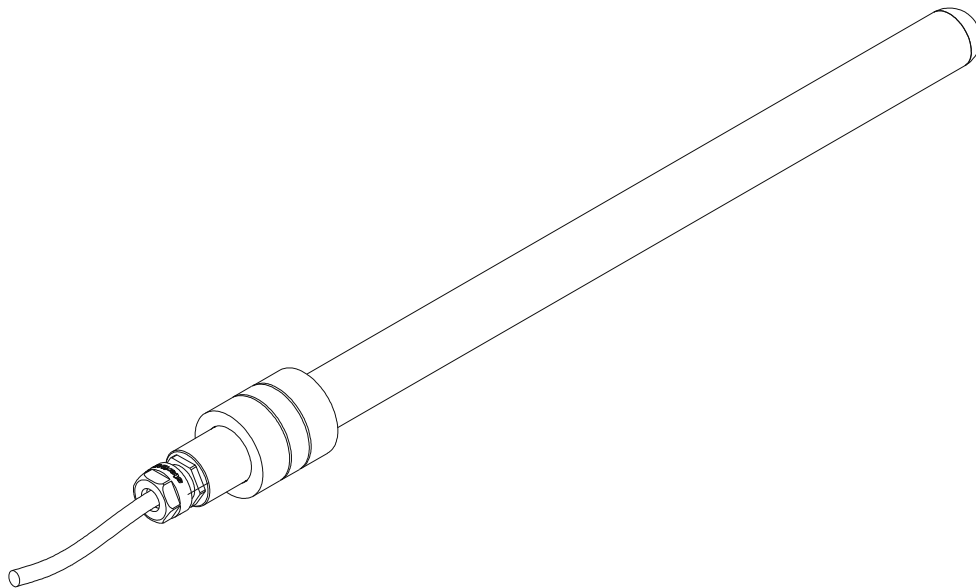
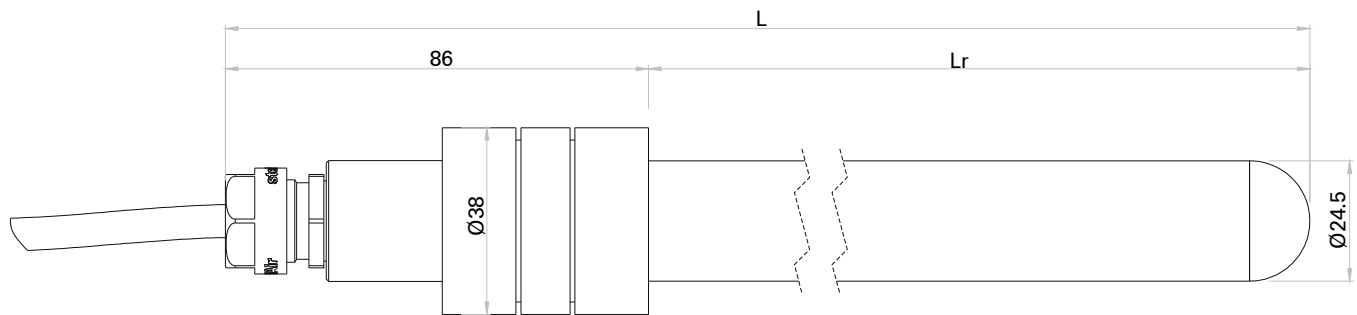


- For disinfecting aqueous solutions in storage tanks
- IP 68 tube fittings with flange adapter
- Easy to install and maintain
- Low heat emission, long service life
- Choice of water seals, silicone or EPDM
- Different lengths of cables, with M12 connectors (stainless steel AISI 304)
- Also available as a version with flange (EQ-TF)

Product designation	EQ20-TS	EQ30-TS	EQ36-TS
Ballast	EBM/ EBD18	EBM/ EBD36	EBM/ EBD36, EBM/ EBD58
Material	Stainless steel (1.4301), EPDM or silicone gasket	Stainless steel (1.4301), EPDM or silicone gasket	Stainless steel (1.4301), EPDM or silicone gasket
UV tube type	UVC 2020-4K	UVC 2030-4K	UVC 2036-4K
Total output, UVC _{254nm}	max. 5.6 W	max. 10 W	max. 18 W
UV tube replacement interval	12'000 hours (75% ±5% residual capacity)	12'000 hours (75% ±5% residual capacity)	12'000 hours (75% ±5% residual capacity)
Connectors	M12 straight	M12 straight	M12 straight
M12 tightening torque	0.6 Nm	0.6 Nm	0.6 Nm
Connecting cable lengths	1.0 / 2.0 m	1.0 / 2.0 m	1.0 / 2.0 m
Classification	CE, EMC, FDA	CE, EMC, FDA	CE, EMC, FDA
IP protection	IP 68	IP 68	IP 68

EQ-TS

Immersion system



Product designation	EQ20-TS	EQ30-TS	EQ36-TS
Length L	461 mm	646 mm	903 mm
length Lr	375 mm	560 mm	817 mm
Weight per unit	0.55 kg	0.59 kg	0.69 kg