

WR 2236

Upper room air disinfection wall emitter

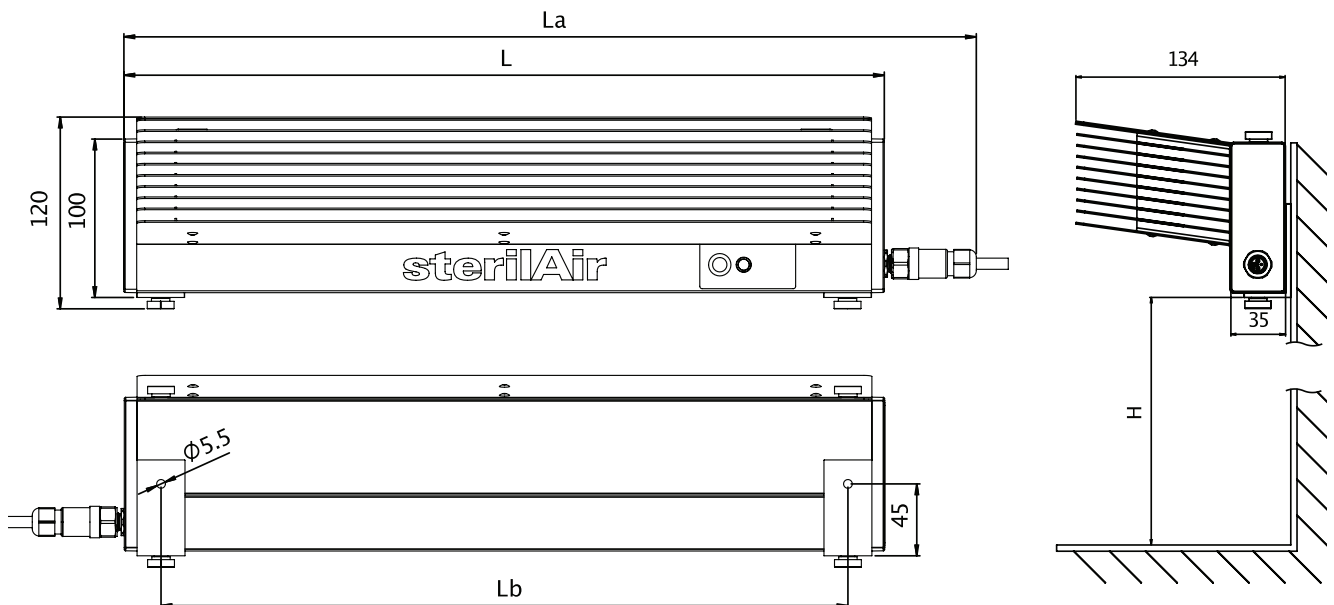
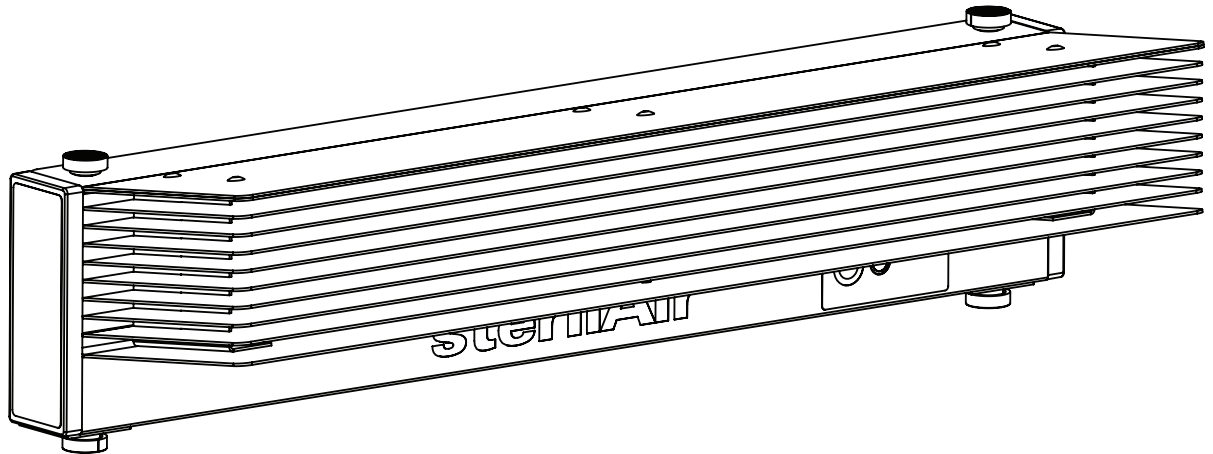


- Effectively prevents the spread of viruses, bacteria and bacteriophages
- Noiseless air disinfection, 24/7, without any use of chemicals
- Safe for people also in permanently occupied areas
- For medical practices, waiting areas, offices, meeting rooms, laboratories, etc.
- Ideal addition for rooms with split air-conditioning units
- Timer module visually informs about an upcoming tube replacement
- Optionally with shatter-protected UVC tube (HACCP compliant)

| Product designation | WR 2236 |
|-------------------------------|--|
| Power consumption | 41 W, 180 mA |
| Supply voltage | 230 VAC $\pm 4\%$, 50..60 Hz |
| UVC tube types | UVC 2036-4N/ -4K/ -4H |
| UVC output (254 nm) | 15 W |
| UVC tube replacement interval | 12'000 hours (75% $\pm 5\%$ residual capacity) |
| Power cable options (3) | 2.5 m EU-plug, 3 m CH-plug, 5 m without plug |
| Power cable connector | M12 straight |
| Material | Stainless steel (WN 1.4301), ABS, (Teflon) |
| Classification | CE, UKCA, EMV, (HACCP) |
| IP protection | IP 52 |

WR 2236

Upper room air disinfection wall emitter



Product dimensions

WR 2236

| | |
|------------------------------|--------------|
| Length L | 911 mm |
| Required space La | mind. 980 mm |
| Mounting hole distance Lb | 865 mm |
| Mounting height from floor H | mind. 2.1 m |
| Weight per unit | 6.9 kg |