

## IBEX Spinal Vac

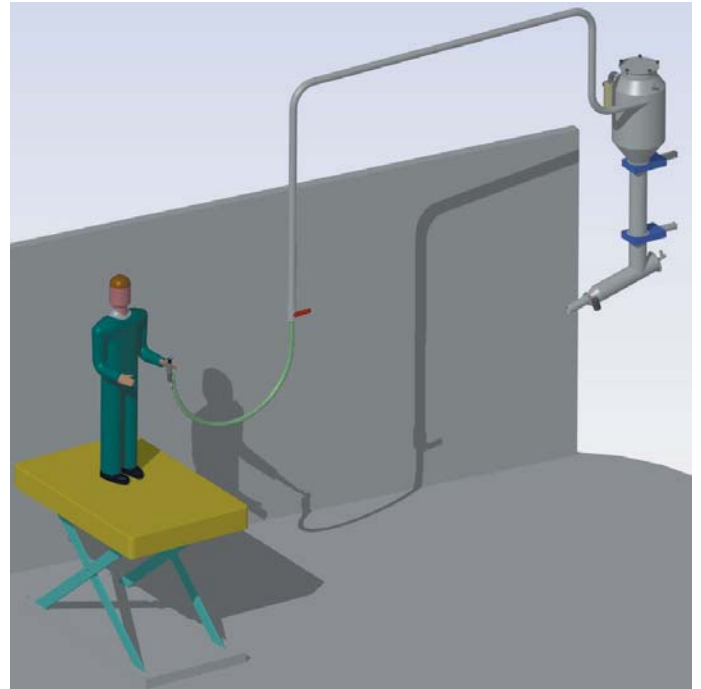
### Clean, Fast and Reliable

The IBEX Spinal Vac provides a quick and efficient method of removing spinal cord canal tissue from beef.

The IBEX Spinal Vac combines the proven reliability of the Pneumatic Trimming System and merges it with a powerful vacuum system to effectively remove Dura-Mater and fluids from beef carcasses; reducing the potential for cross contamination.

The continuous extraction design eliminates stoppages and interruptions to production during the removal of waste from the vacuum chamber and has been carefully designed to avoid costly pump damage.

The IBEX Spinal Vac can be custom made to suit specific layouts, processing speeds and production needs.



### Benefits

- Simultaneously Cuts and Vacuums Dura-Mater from Beef
- Extracted Dura-Mater is Safely Transferred to the Storage Chambers for Disposal
- Dual Vacuum Chamber Design Guarantees Continuous Processing
- Customized Design to Meet Processors Exact Requirements
- Easy to Use and Maintain
- Various Conical Blade Sizes to Suit all Processing Needs
- Intelligent Design Avoids Expensive Pump Damage

### Specifications\*

SPEED	15,000 RPM
PRESSURE	90 PSI
AIR CONSUMPTION	16 CFM or 453 LPM

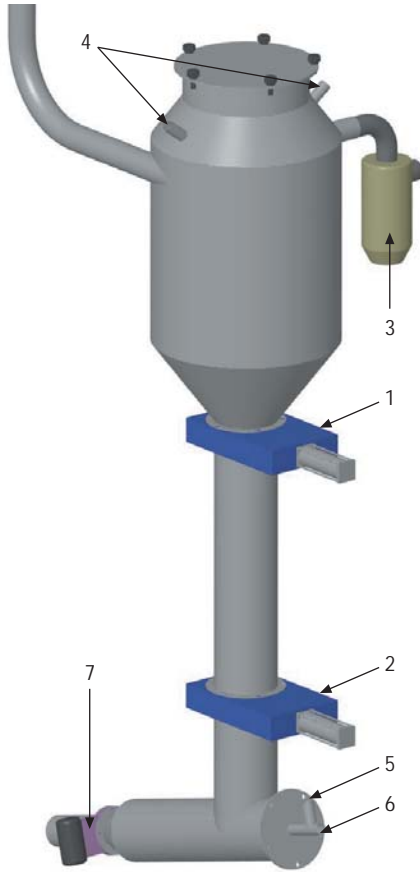
THE SUPERIOR ALTERNATIVE

[www.ibex.net.nz](http://www.ibex.net.nz)

\* Specifications subject to change.



## IBEX Spinal Vac - Extraction Unit



## IBEX Spinal Vac - Options

- Blow System for longer product transfers where required
- CIP: Clean in Place system flushes tank and main valve transfers
- Pipe Work: Line sizing is required for each installation for vacuum and blow systems
- Operator using Spinal Cord Vacuum Trimmer will be on a rise and fall platform
- Vacuum Pump (not shown) operation - 300m3/hr
- Steriliser (shown below) as an option



Part No.	Description
1	Valve #1
2	Valve #2 - Blow tube system will be optional
3	Vacuum 50mm with water level sensor
4	Water Flush
5	Water Flush
6	Air
7	Valve #3

## THE SUPERIOR ALTERNATIVE

[www.ibex.net.nz](http://www.ibex.net.nz) | [sales@ibex.net.nz](mailto:sales@ibex.net.nz)

IBEX™ is a trademark of the IBEX Group of Companies  
©IBEX Group of Companies 2007

**NEW ZEALAND**  
3/9 Allens Road  
East Tamaki, Auckland  
PO Box 58-640  
Greenmount, Auckland  
New Zealand  
Tel: +64 9 274 2370  
Fax: +64 9 274 2371

**AUSTRALIA**  
7B Curban Street, Underwood,  
Brisbane, QLD 4119  
PO Box 803, Springwood  
Brisbane QLD 4127  
Australia  
Tel: +61 7 3341 3700  
Fax: +61 7 3341 3711

**EUROPE**  
Lakes Road  
Langmere  
Norfolk IP21 4PE  
United Kingdom  
Tel: +44 1379 742 776  
Fax: +44 1379 742 778

**SOUTH AMERICA**  
Rua Salgado Filho 2588/2636  
Pinhais-PR  
CEP 83320-340  
Brazil  
Tel: +55 41 3669 4520  
Fax: +55 41 3665 8287

